

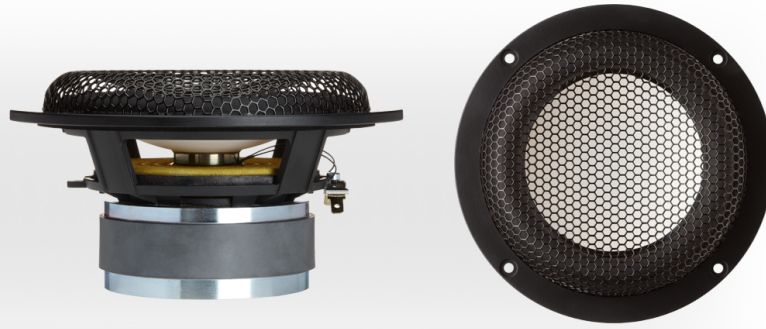
## C153-4-082

Bass - midrange driver

DOMEMATERIAL: CERAMIC  
APPLICATION: BASS - MIDRANGE  
NOMINAL DIAMETER: 153 mm  
SENSITIVITY: 91 dB

### MAIN FEATURES :

OVERHUNG MOTOR DESIGN  
25 MM TITANIUM VC FORMER  
SOFT RUBBER SURROUND  
VENTED VC, POLE PIECE & SPIDER  
40 HZ - 3 KHZ IN VENTED BOX

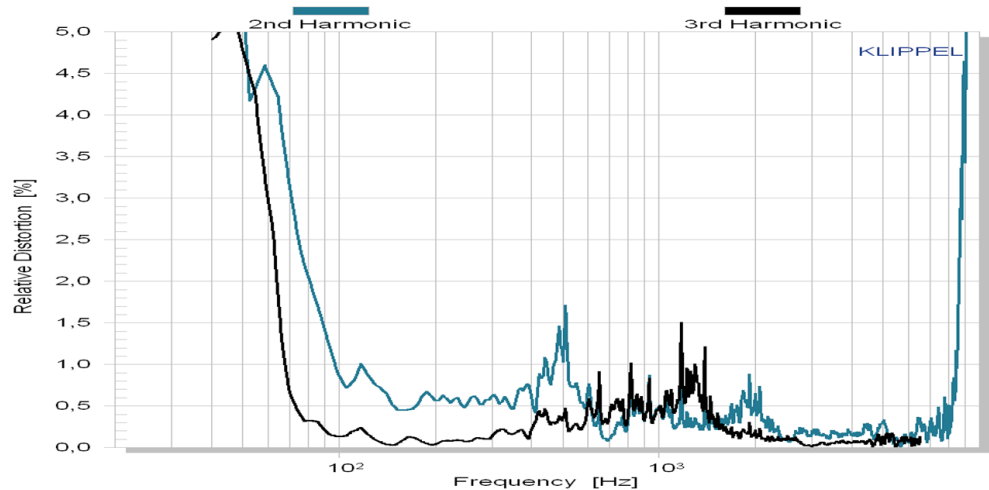
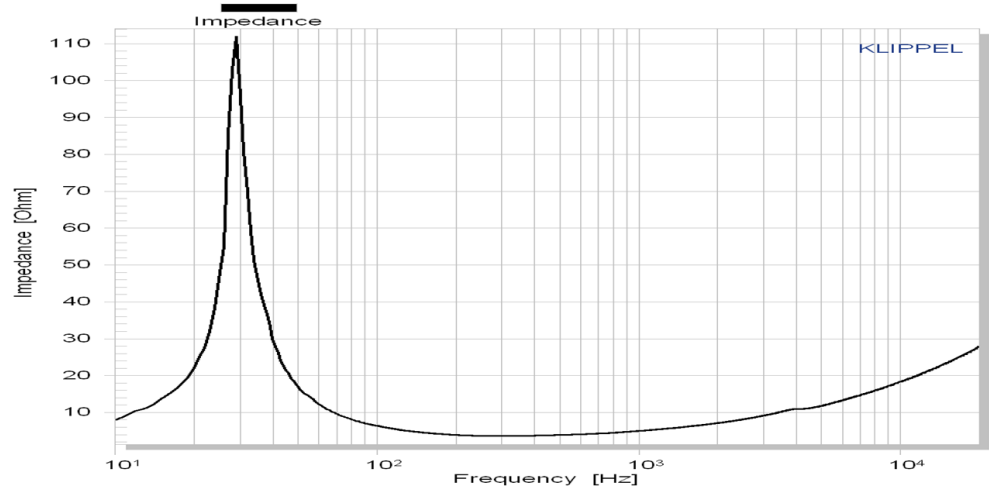
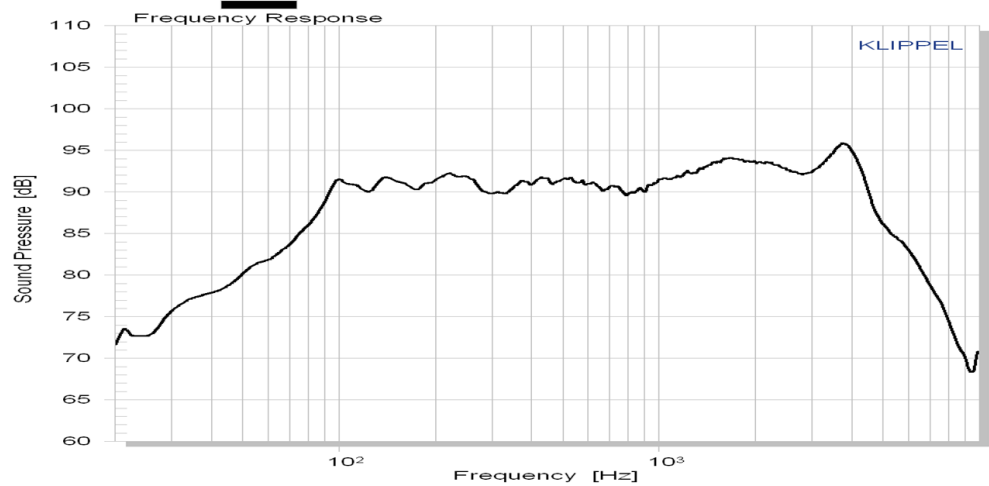


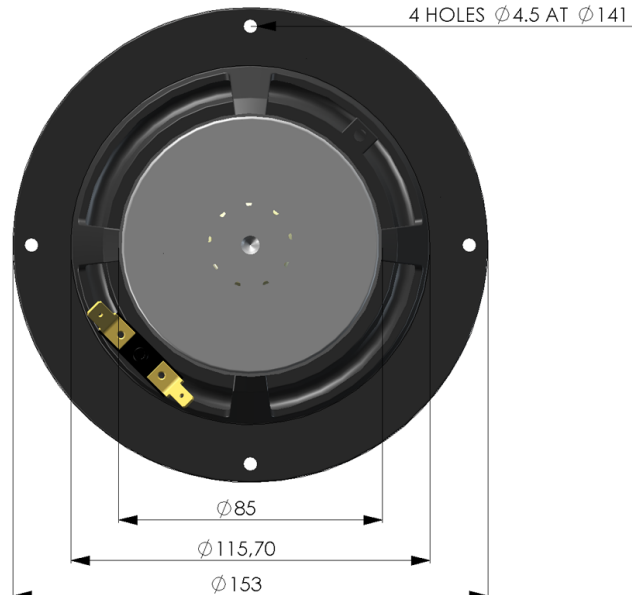
The **C153 - 4 - 082** is a 5 inch bass - midrange driver with ultra hard ceramic dome.

A **FEA optimized** overhung motor design with 25 mm titanium voice coil former guarantees extraordinary low energy storage and good heat transfer.

The low loss rubber surround and a **thin fabric spider** center the moving parts with high linearity.

As a typical small home stereo bass - midrange driver, we recommend our **C153 - 4 - 082** for an application from 40 Hz – 3000 Hz.





**C153-4-082**  
Bass-midrange driver

Mechanical data		
Overall diameter	153	mm
Cutout hole diameter	116	mm
Frontplate depth	4.5	mm
Overall depth	71	mm
Motor assembly diameter	85	mm
Motor assembly depth	34	mm
Screw fitting	DIN 7984, 4mm	
Terminal	+ : 6.3 x 0.8 / - : 4.8 x 0.8	
Shipping weight / net weight (one piece)	1.48 / 1.28	kg
Shipping size (pair)	180 / 180 / 240	mm

Thiele/Small Parameters			
Sensitivity (2.83V / 1m)	Lp	91*	dB
DC-resistance	Re	3.3	Ohm
Resonance frequency	Fs	27	Hz
Equivalent volume of air	Vas	35.5	L
Mechanical Q	Qms	5.22	
Electrical Q	Qes	0.17	
Total Q	Qts	0.16	
Effective piston area	Sd	83	cm <sup>2</sup>
Moving mass	Mms	9.6	g
Suspension compliance	Cms	0.33	mm/N
Mechanical resistance	Rms	0.31	kg x s

Voice Coil data			
Power handling	P	100*	Watt
Linear excursion	Xmax	+/- 5	mm
Voice coil diameter		25	mm
Voice coil former material		Ti	
Voice coil material		Cu	
Voice coil inductance	Le	0.39	mH
Force factor	Bl	5.6	N/A
Motor type		Overhung	
Ferrofluid filling		no	

\* Please refer to [www.accuton.com](http://www.accuton.com) for exact measurement conditions and further information.

All rights reserved - All data with reservation and subject to change.

Thiel & Partner GmbH Kantstrasse 1 50259 Pulheim T +49 (0) 2238 / 475475 a.bankewitz@accuton.com