

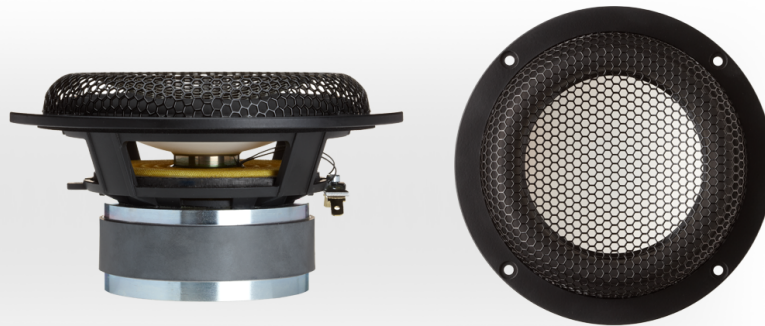
C153-8-082

Bass - midrange driver

DOMEMATERIAL: CERAMIC
APPLICATION: BASS - MIDRANGE
NOMINAL DIAMETER: 153 mm
SENSITIVITY: 89 dB

MAIN FEATURES :

OVERHUNG MOTOR DESIGN
25 MM TITANIUM VC FORMER
SOFT RUBBER SURROUND
VENTED VC, POLE PIECE & SPIDER
40 HZ - 3 KHZ IN VENTED BOX

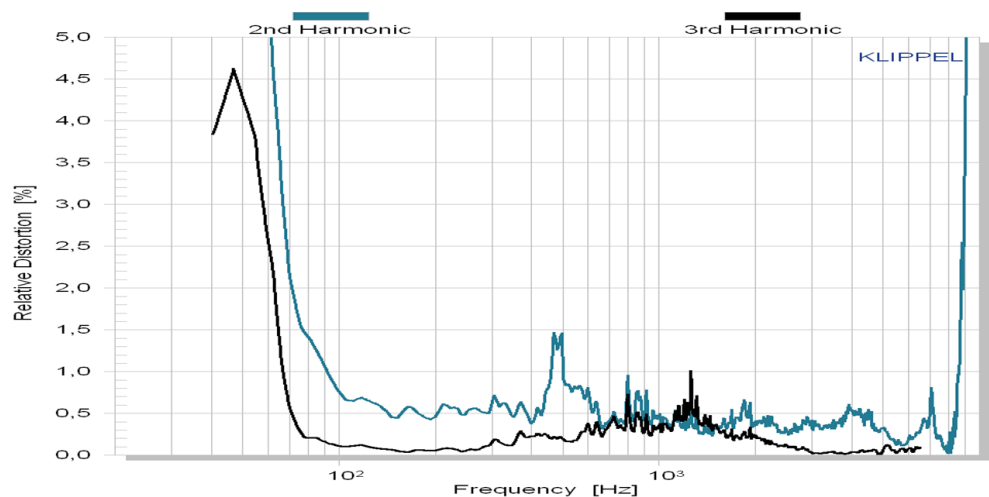
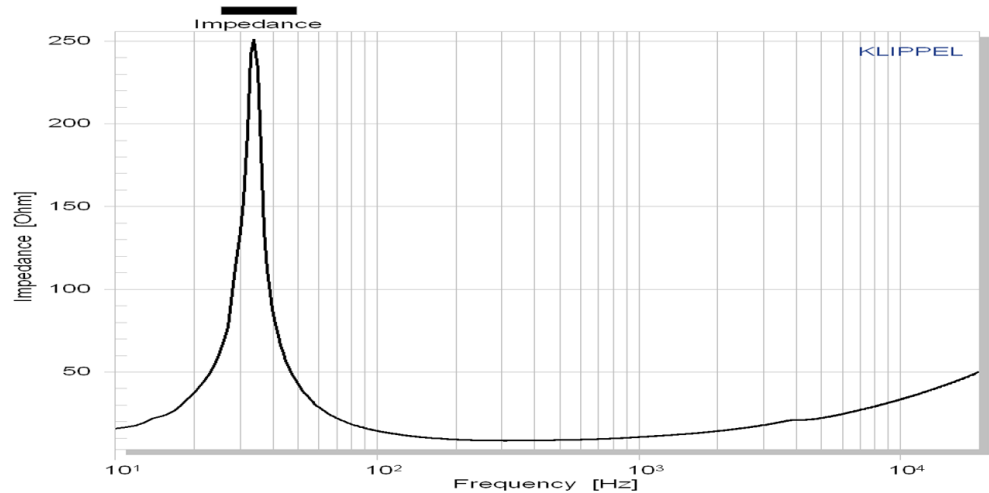
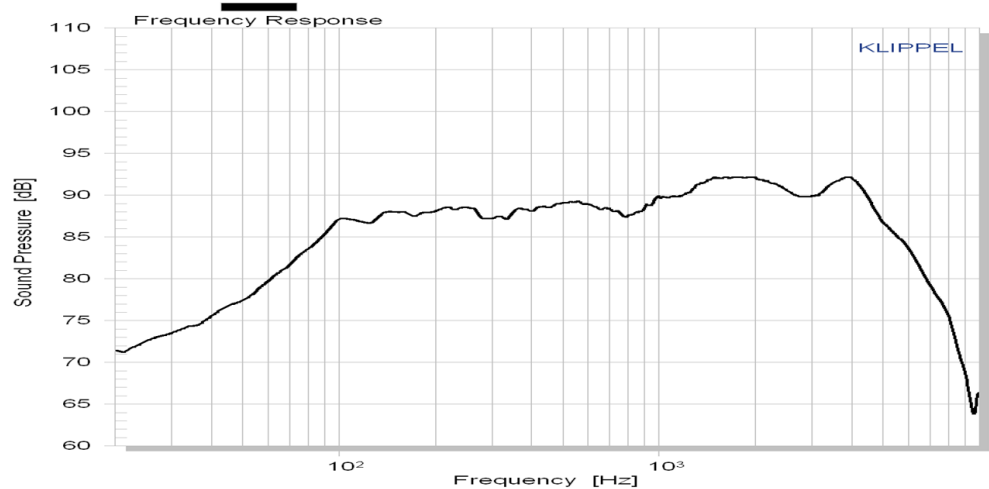


The **C153 - 8 - 082** is a 5 inch bass - midrange driver with ultra hard ceramic dome.

A **FEA optimized** overhung motor design with 25 mm titanium voice coil former guarantees extraordinary low energy storage and good heat transfer.

The low loss rubber surround and a **thin fabric spider** center the moving parts with high linearity.

As a typical small home stereo bass - midrange driver, we recommend our **C153 - 8 - 082** for an application from 40 Hz – 3000 Hz.



All rights reserved - All data with reservation and subject to change.

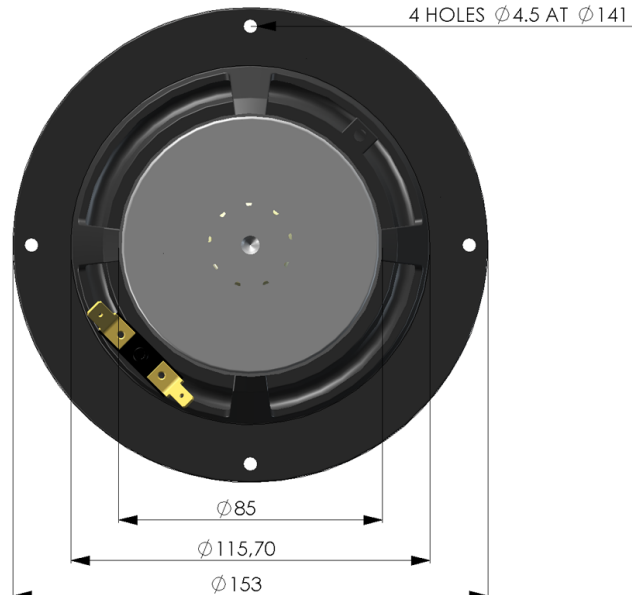
Thiel & Partner GmbH

Kantstrasse 1

50259 Pulheim

T +49 (0) 2238 / 475475

a.bankewitz@accuton.com



C153-8-082
Bass-midrange driver

Mechanical data		
Overall diameter	153	mm
Cutout hole diameter	116	mm
Frontplate depth	4.5	mm
Overall depth	71	mm
Motor assembly diameter	85	mm
Motor assembly depth	34	mm
Screw fitting	DIN 7984, 4mm	
Terminal	+ : 6.3 x 0.8 / - : 4.8 x 0.8	
Shipping weight / net weight (one piece)	1.48 / 1.28	kg
Shipping size (pair)	180 / 180 / 240	mm

Thiele/Small Parameters			
Sensitivity (2.83V / 1m)	Lp	89*	dB
DC-resistance	Re	7.7	Ohm
Resonance frequency	Fs	31.8	Hz
Equivalent volume of air	Vas	32	L
Mechanical Q	Qms	5.8	
Electrical Q	Qes	0.21	
Total Q	Qts	0.20	
Effective piston area	Sd	83	cm ²
Moving mass	Mms	7.7	g
Suspension compliance	Cms	0.33	mm/N
Mechanical resistance	Rms	0.27	kg x s

Voice Coil data			
Power handling	P	100*	Watt
Linear excursion	Xmax	+/- 5	mm
Voice coil diameter		25	mm
Voice coil former material		Ti	
Voice coil material		Cu	
Voice coil inductance	Le	0.68	mH
Force factor	Bl	7.4	N/A
Motor type		Overhung	
Ferrofluid filling		no	

* Please refer to www.accuton.com for exact measurement conditions and further information.

All rights reserved - All data with reservation and subject to change.

Thiel & Partner GmbH Kantstrasse 1 50259 Pulheim T +49 (0) 2238 / 475475 a.bankewitz@accuton.com