

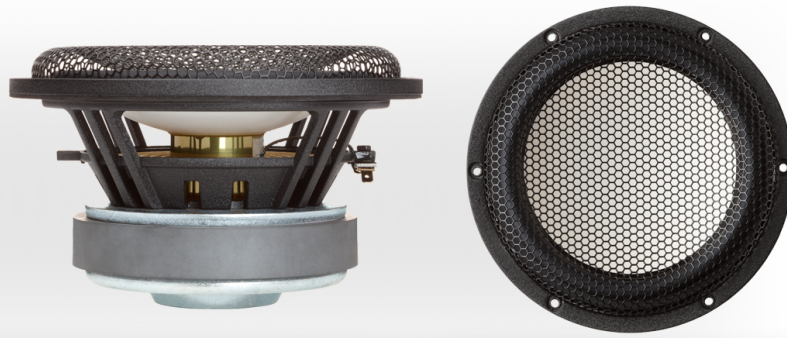
C173-11-095

Bass - midrange driver

DOMEMATERIAL: CERAMIC
APPLICATION: BASS - MIDRANGE
NOMINAL DIAMETER: 173 mm
SENSITIVITY: 87 dB

MAIN FEATURES :

- OVERHUNG MOTOR DESIGN
- 38 MM TITANIUM VC FORMER
- SOFT RUBBER SURROUND
- VENTED VC, POLE PIECE & SPIDER
- 35 HZ - 2.5 KHZ IN VENTED BOX

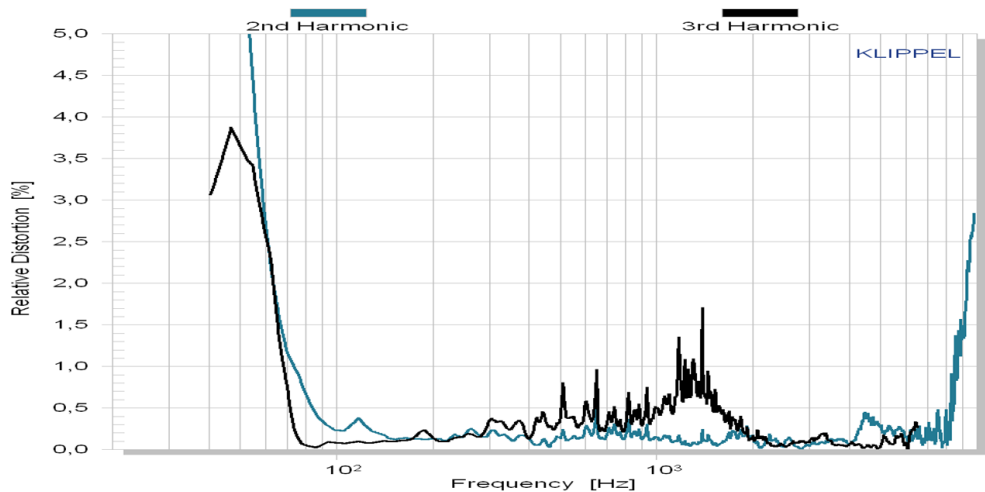
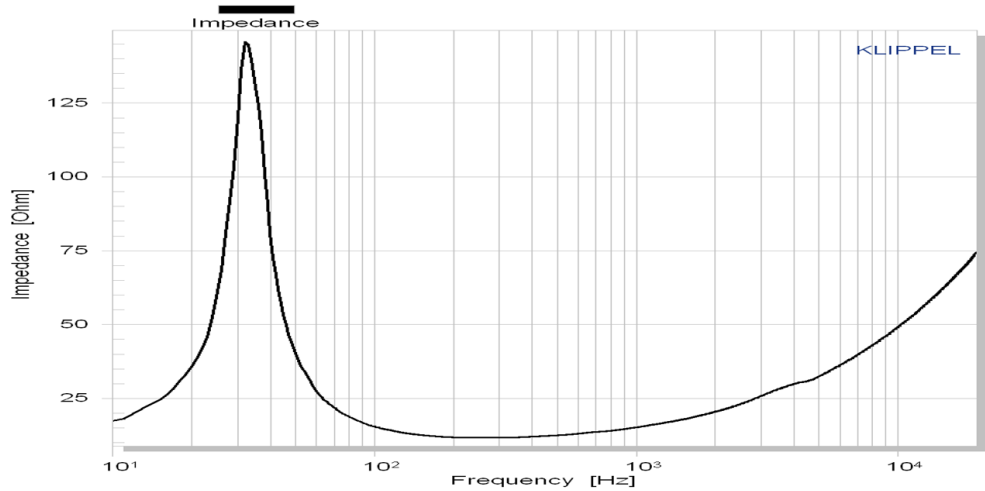
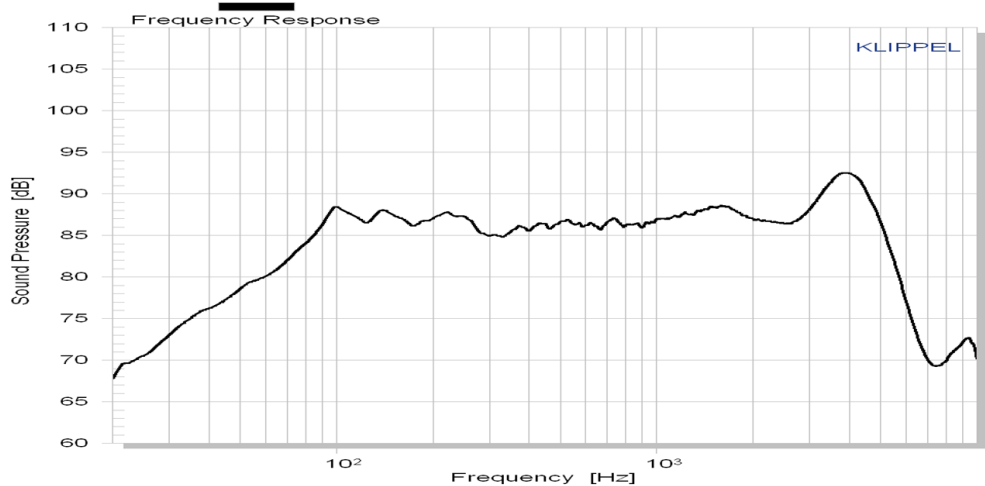


The **C173-11-095** is a 6.5 inch bass-midrange driver with ultra hard ceramic dome.

A **FEA optimized** overhung motor design with 38 mm titanium voice coil former guarantees very low energy storage and good heat transfer.

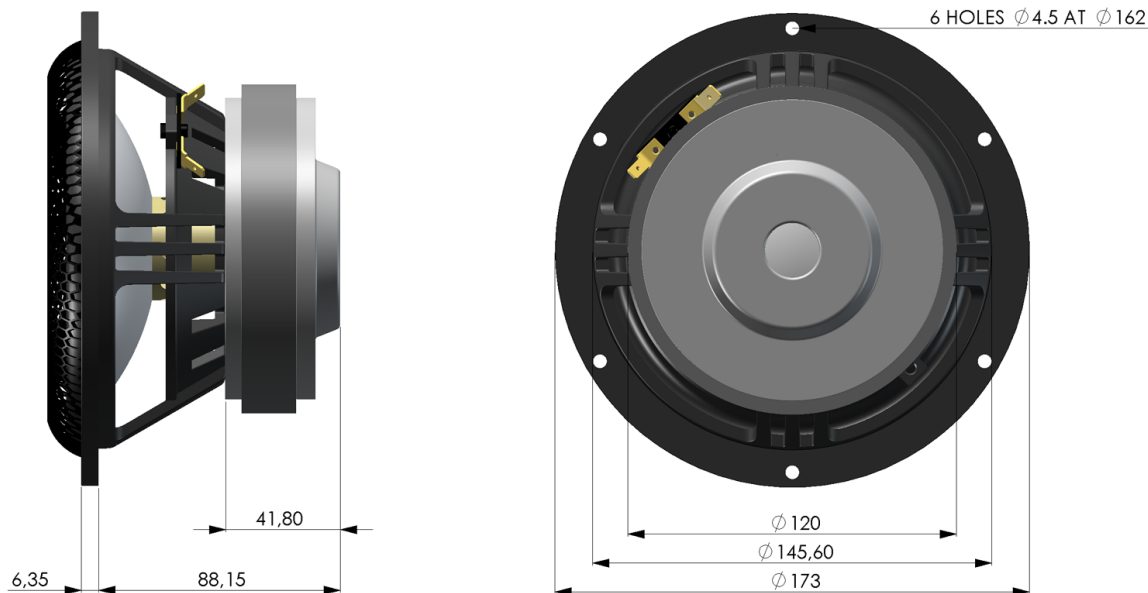
The low loss rubber surround and a **thin fabric spider** center the moving parts with high linearity.

As a typical home stereo bass - midrange driver, we recommend our **C173-11-095** for an application from 35 Hz - 2500 Hz.





C173-11-095
Bass-midrange driver



| Mechanical data | | |
|------------------------------|-------------------------------|----|
| Overall diameter | 173 | mm |
| Cutout diameter | 145.6 | mm |
| Frontplate depth | 6.35 | mm |
| Overall depth | 94.5 | mm |
| Motor assembly diameter | 120 | mm |
| Motor assembly depth | 41.8 | mm |
| Screw fitting | DIN 7984, 4mm | |
| Terminal | + : 6.3 x 0.8 / - : 4.8 x 0.8 | mm |
| Shipping weight / net weight | 2.6 / 2.28 | kg |
| Shipping size | 210 / 140 / 210 | mm |

| Thiele/Small Parameters | | | |
|--------------------------|-----|------|-----------------|
| Sensitivity (2.83V / 1m) | Lp | 87* | dB |
| DC-resistance | Re | 11 | Ohm |
| Resonance frequency | Fs | 30 | Hz |
| Equivalent volume of air | Vas | 34 | L |
| Mechanical Q | Qms | 4.23 | |
| Electrical Q | Qes | 0.32 | |
| Total Q | Qts | 0.30 | |
| Effective piston area | Sd | 130 | cm ² |
| Moving mass | Mms | 16 | g |
| Suspension compliance | Cms | 1.35 | mm/N |
| Mechanical resistance | Rms | 0.72 | kg x s |

| Voice Coil data | | | |
|----------------------------|------|----------|------|
| Power handling | P | 120* | Watt |
| Linear excursion | Xmax | +/- 5 | mm |
| Voice coil diameter | | 38 | mm |
| Voice coil former material | | Ti | |
| Voice coil material | | Cu | |
| Voice coil inductance | Le | 1 | mH |
| Force factor | Bl | 10.2 | N/A |
| Motor type | | Overhung | |
| Ferrofluid filling | | no | |

* Please refer to www.accuton.com for exact measurement conditions and further information.

All rights reserved - All data with reservation and subject to change.

Thiel & Partner GmbH Kantstrasse 1 50259 Pulheim T +49 (0) 2238 / 475475 a.bankewitz@accuton.com